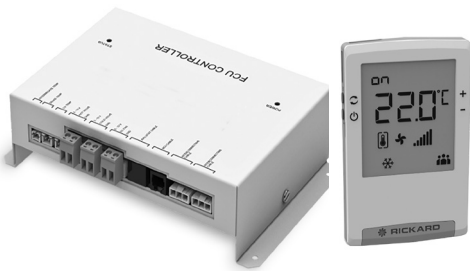


RICKARD FCU CONTROLLER



DESCRIPTION

The Rickard FCU Controller takes chilled hot water FCU control to the next level. By incorporating traditional Fan Coil Unit functionality with this control system, commissioning, managing and integrating the Fan Coil Unit with constant volume / VAV diffusers and the HVAC system is made easy.

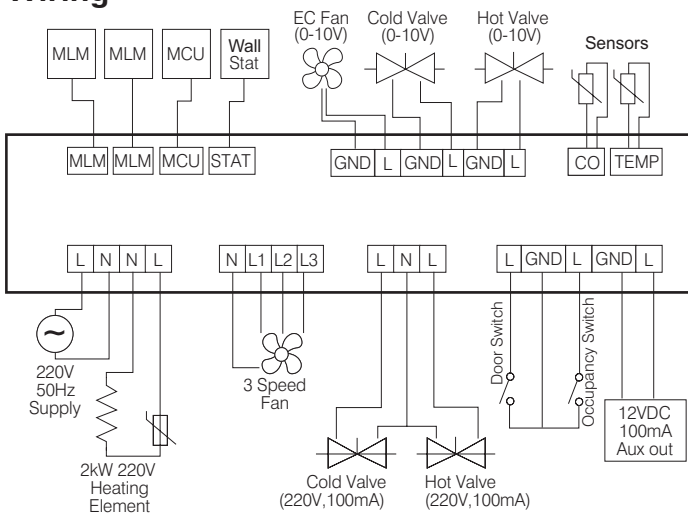
Features

- Managing the operation of both two and four-pipe Fan Coil Units with or without electric heating.
- Can override the operation of the Fan Coil Unit if the room is unoccupied to conserve energy.
- Detects water supply change-over from hot to cold and vice versa, with the aid of a change-over temperature sensor.
- Can be monitored and configured externally via Rickards.
- Optional Fan Coil Unit wall thermostat
- No BMS required
- System configuration can be made via the free Rickard MLM application tool
- Built in 240V AC or 12V supply from control unit

Construction

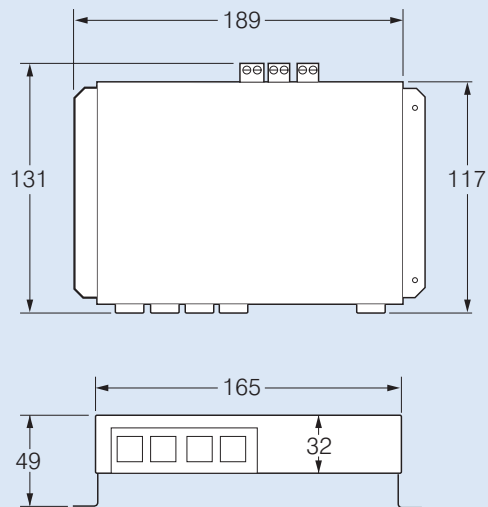
FCU Controller: Powder coated sheetmetal housing.
 FCU Wall Thermostat: ABS housing with 60 x 70mm LCD display.

Wiring

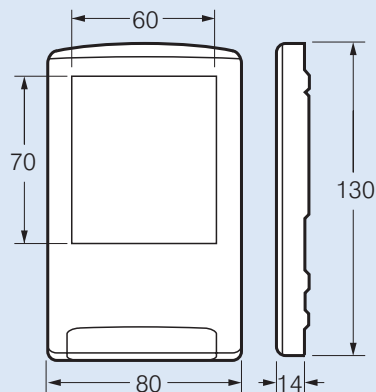


DIMENSIONS

RICK-CU-FCU



RICK-MLMWS-FCU



TECHNICAL DATA

Model Number	Description	Input Power	Mounting	Protection Class
RICK-CU-FCU	FCU Main Controller	12V from control unit or 240V AC	Standalone	IP20
RICK-MLMWS-FCU	FCU Wall Thermostat Controller	12V from control unit	Wall Mount	IP20
RICK-CA-FCU-LINK	8m Interlink Cable	-	-	-
RICK-SENS-FCU5T	Temperature sensor with 5m Extension	-	Inside Ductwork	IP43